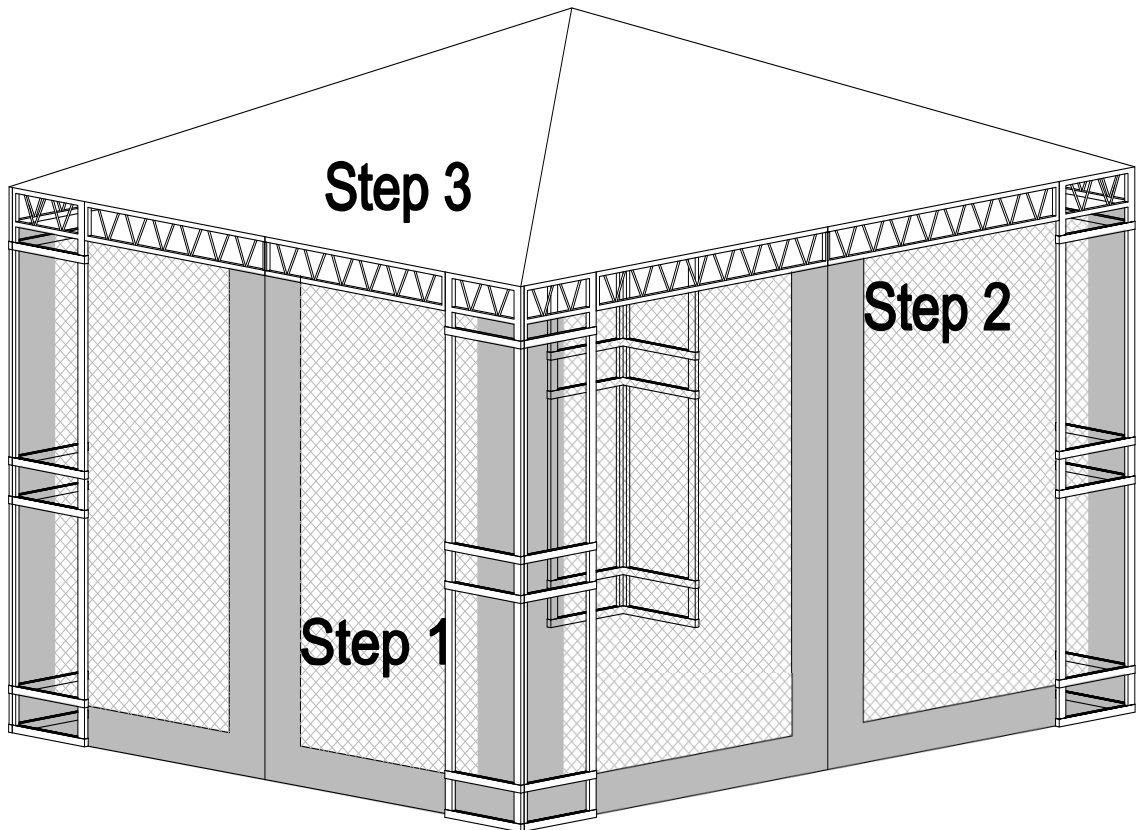
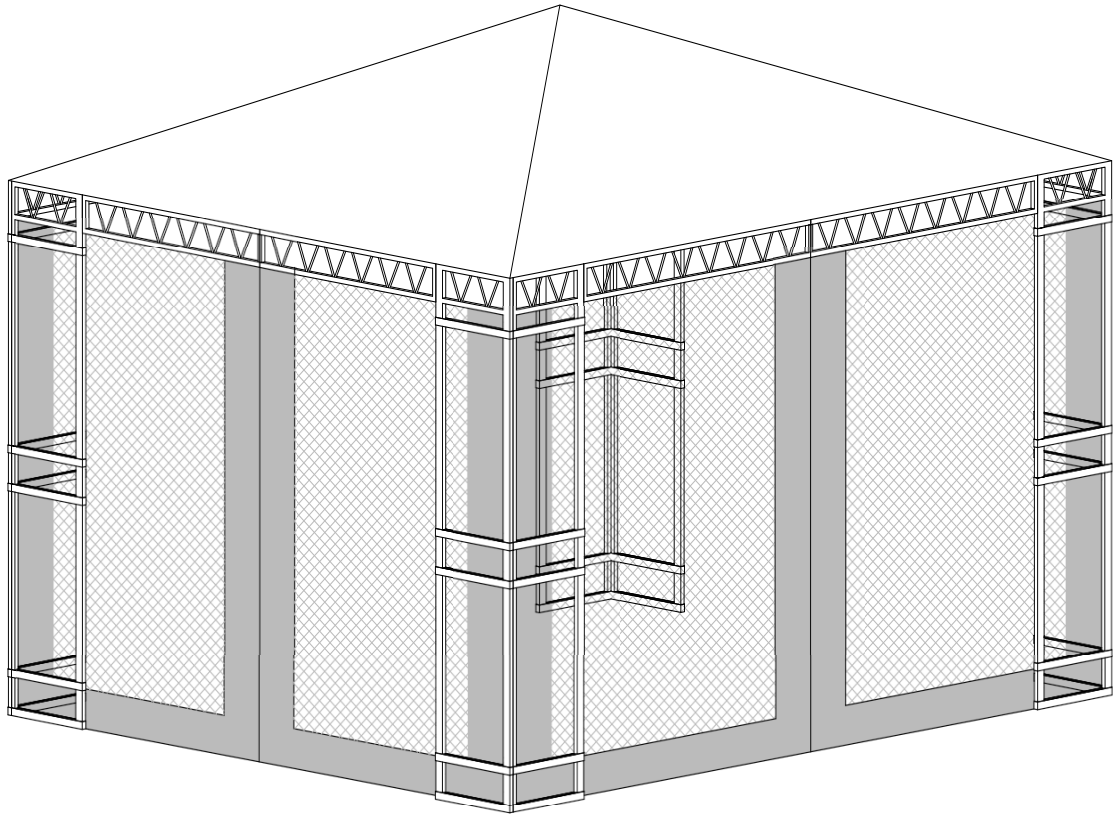


ASSEMBLY INSTRUCTION
ITEM # L-GZ252PAL

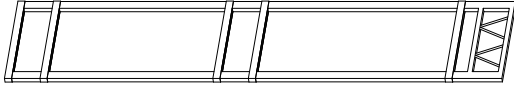
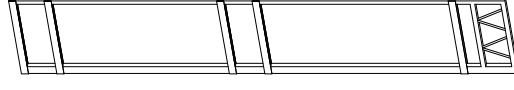
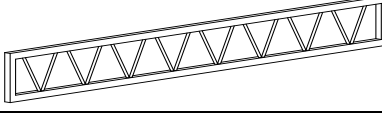
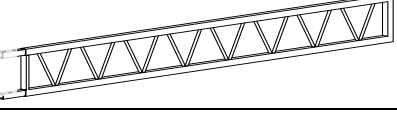
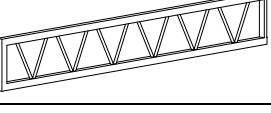
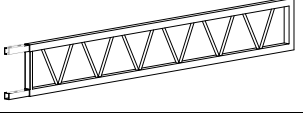
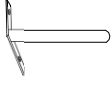

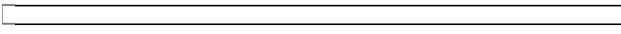
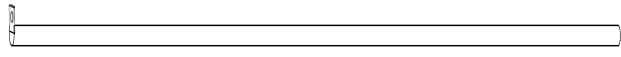
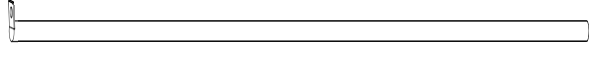

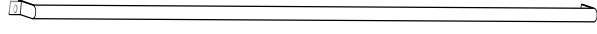
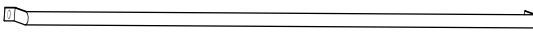





IMPORTANT:

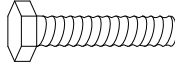

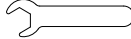
Please read and follow all safety statements, warnings, assembly instructions, use & care directions before attempting to assemble.

- In order to reduce the risk of personal injury and damage to equipment, basic safety precautions should always be followed when assembling and using this product. Read all instructions carefully before assembly and use.
- Some parts may contain sharp edges. Wear protective gloves if necessary. In order to ensure safe assembly, it is recommended that this product be assembled by at least two people.
- Keep children and pets away from the assembly area.
- Begin the assembly at least 6 feet away from any obstruction, such as a fence, garage, house, overhanging branches, laundry line, or electrical wires.
- Install this gazebo on level ground. This gazebo cannot be permanently staked or attached to a concrete floor or platform. This gazebo is intended for decorative and sunshade purposes only, and is not designed to withstand harsh weather, including high winds, rain, and snow. The fabric is water resistant, but not waterproof, and may leak when exposed to precipitation.
- Verify that all nuts and bolts are tightly secured before and during use.
- **WARNING: Keep flames and heat sources away from the gazebo fabric.**
- The fabric may burn if it is exposed to prolonged contact with a source of heat. The application of any foreign substance to the gazebo fabric may render the flame-resistant properties ineffective.
- **This product is heavy. Do not assemble it alone.**
- **Care & Maintenance**
- Steel components for garden accessories and furniture are treated with rust inhibiting paint that protects them from rust. However, due to the nature of steel, surface oxidation (rusting) will occur if this protective coating is scratched. This is a natural process. To minimize this condition, it is recommended that care be taken when assembling and handling the product in order to prevent the paint from being scratched. If scratching or damage occurs, it is recommended that the area be touched-up immediately with rust inhibiting paint, which is included in the package. Surface rust can be removed easily using a very light application of common cooking oil. If surface oxidation (rusting) occurs and no measures are taken to correct it, the oxidation may start dripping onto the deck or patio, which may cause damaging stains that may be difficult to remove.

Parts List

Screen 1	A	4	
Screen 2	B	4	
Long Screen 1	C	2	
Long Screen 2	D	2	
Short Screen 1	E	2	
Short Screen 2	F	2	
Corner Connector 1	G	2	
Corner Connector 2	H	2	
Coner Top Pole	I	4	
Short Top Pole	J	2	
Long Top Pole	K	2	
Top Connector	L	1	
Long Mosquito Net Pole	M	4	
Short Mosquito Net Pole	N	4	
Hook	O	1	
Canopy	P	1	
Mosquito Net	Q	1	

Hardware Pack 1

AA	M6X35 Bolt	12 PCS	
BB	M6 Washer	12 PCS	
Z	M6 Wrench	1 PC	

Step 1

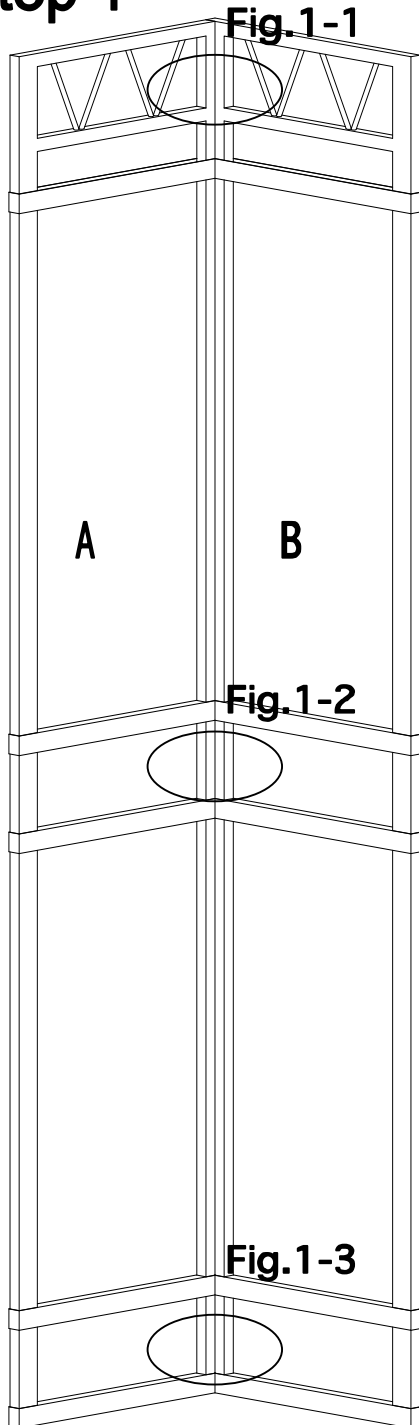


Fig.1-1

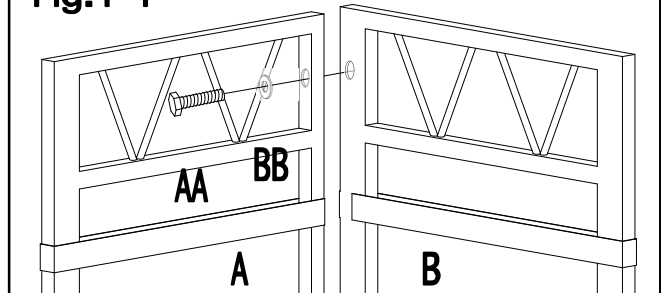


Fig.1-1: Connect the top Screen 1 (A) and Screen 1 (B) by M6X35 Bolt (AA) and M6 Washer (BB).

Fig.1-2

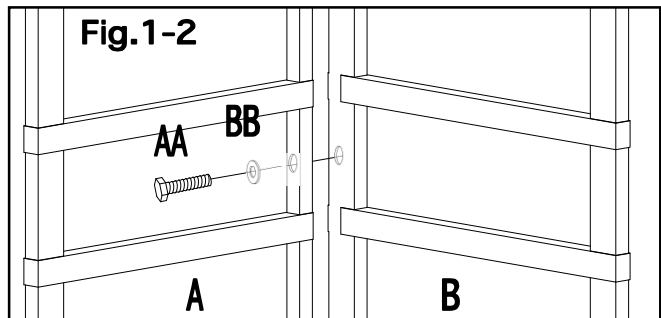


Fig.1-2: Connect the middle Screen 1 (A) and Screen 1 (B) by M6X35 Bolt (AA) and M6 Washer (BB).

Fig.1-3

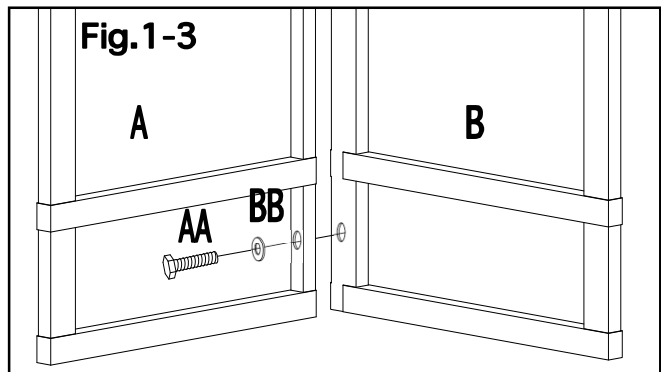
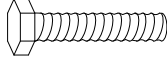

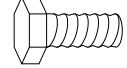
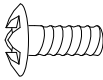


Fig.1-3: Connect the bottom Screen 1 (A) and Screen 1 (B) by M6X35 Bolt (AA) and M6 Washer (BB).

Hardware Pack 2

AA	M6X35 Bolt	16 PCS	
BB	M6 Washer	56 PCS	
CC	M6X15 Bolt	12 PCS	
DD	M6X15 Bolt	28 PCS	

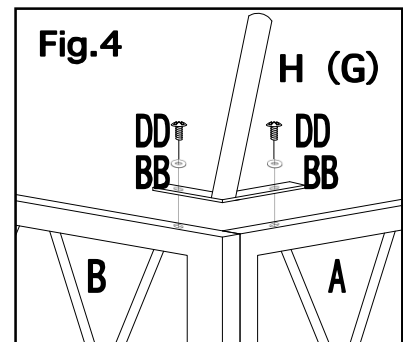
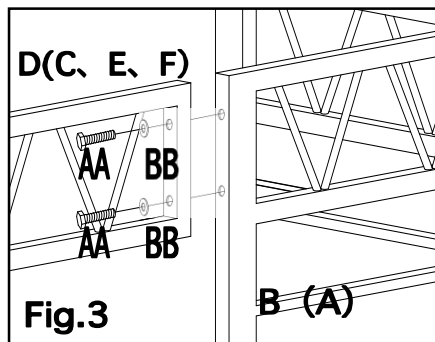
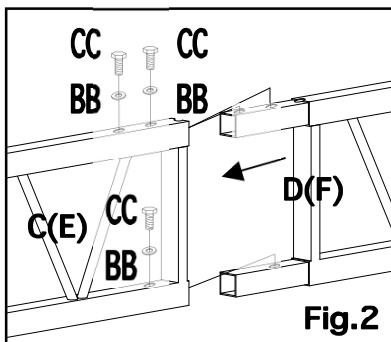
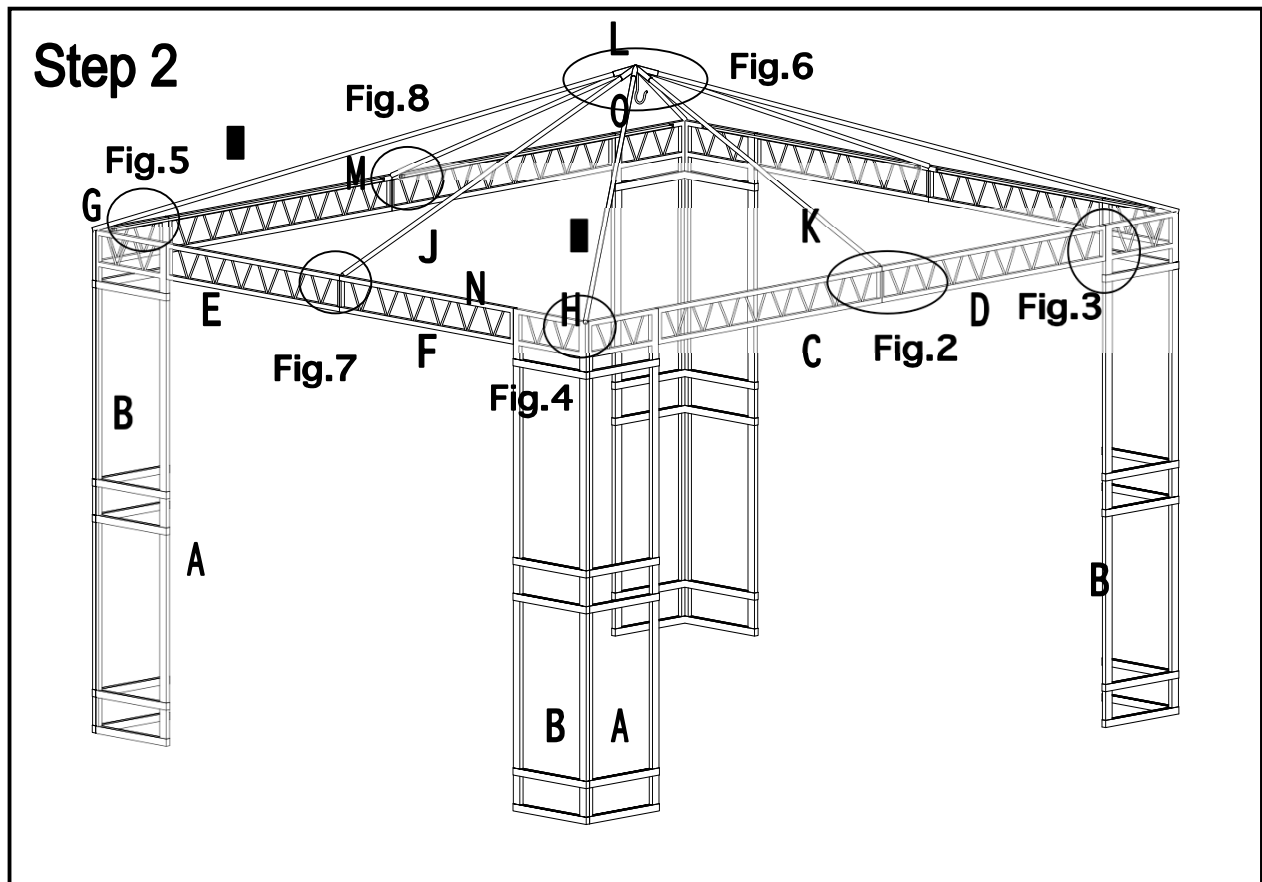


Fig.2: Insert Long Screen 2 (D) into Long Screen 1(C), insert Short Screen 2 (F) into Short Screen 1 (E), then fully tighten by M6X15 Bolt (CC) and M6 Washer (BB).

Fig.3: Attach the assembled screen to Screen 1 B (A) by M6X35 Bolt (AA) and M6 Washer (BB).

Fig.4: Attach H (G) to the top of A and B by DD and BB.

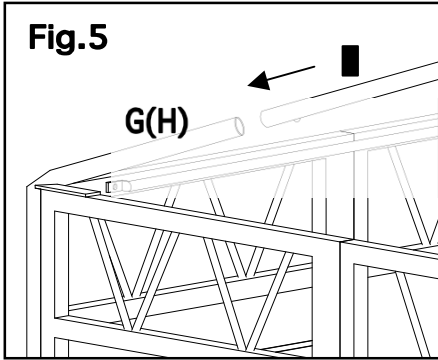


Fig.5

G(H)

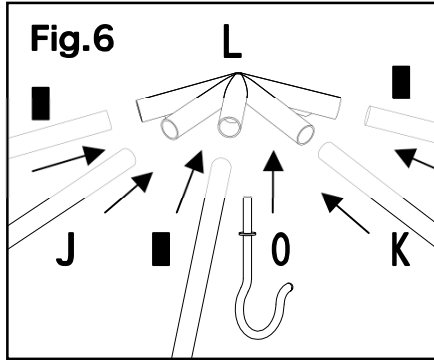


Fig.6

L

J

K

O

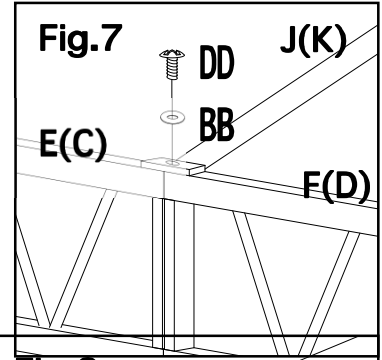


Fig.7

DD

J(K)

E(C)

BB

F(D)

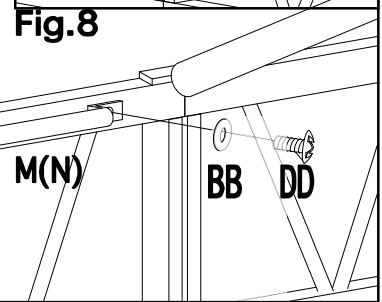


Fig.8

M(N)

BB

DD

Fig.5: Insert I into G (H) .

Fig.6: 先将挂钩O装到顶连接件L上，然后将角顶梁I、长短边顶梁J、K分别插入顶连接件L。

Fig.7: Attach将长(短)边顶梁J(K)分别锁到长、短边横屏风中间 by DD and BB.

Fig.8: Attach M (N) to 横屏风和屏风 by DD and BB.

Hardware Pack 3

EE	Plastic tie	52 PCS	
FF	Φ8*180MM "U" Stake	16 PCS	

Step 3

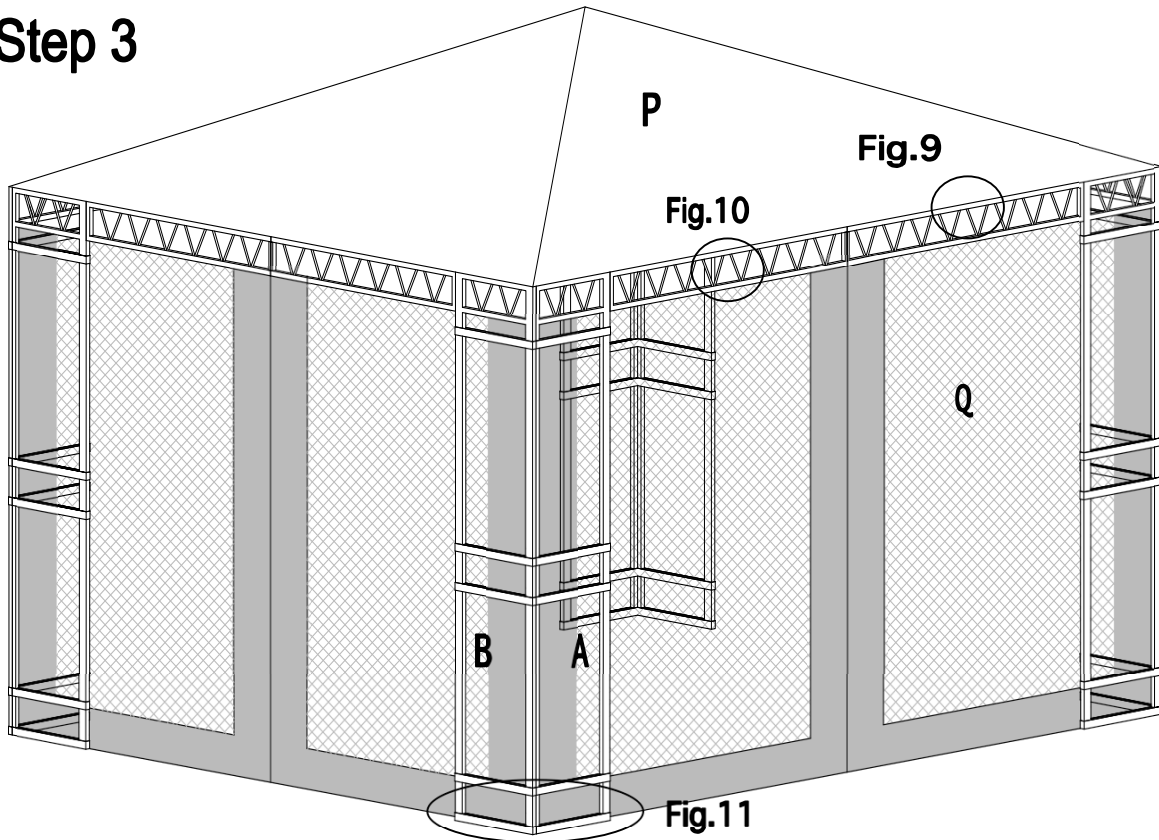


Fig.9

P

Fig.10

Q

B

A

Fig.11

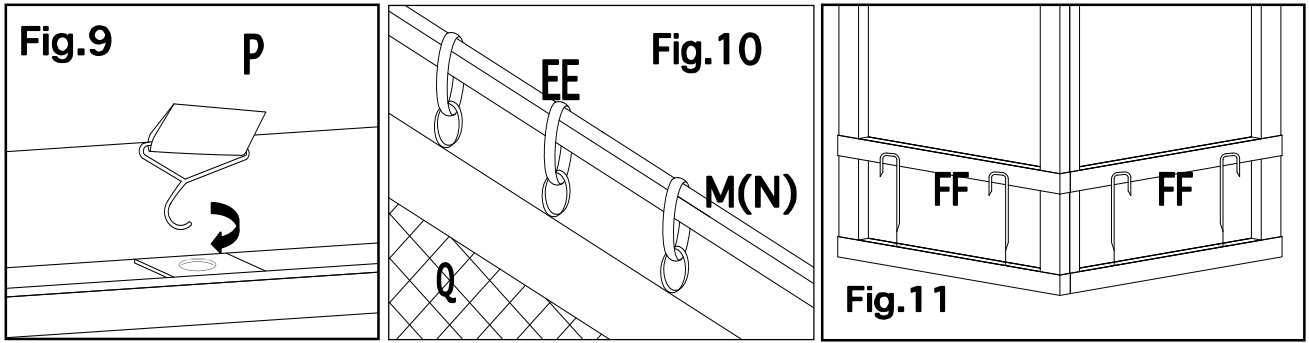


Fig.9: Assemble the Canopy (P), then put the Hook (O) to the hole as per the fig.

Fig.10: Hang the Mosquito Net (Q) to the Long Mosquito Net Pole (M) and Short Mosquito Net Pole (N) by Plastic tie (EE).