



# Assembly Instructions

Model: CCB25

## Step 1

First remove the bolts used for shipping  
Then attach Foot rest and brace to sideframes  
using (4) 2¼" Chair bolts.

## Step 2

Attach seat to sideframes using (4) 1½" Chair bolts.  
Note: seat overhangs slightly in front

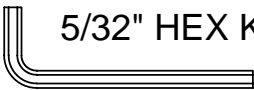
## Step 3

Attach back to sideframes using  
(2) 1½" Chair bolts and (2) 2½" Chair bolts.

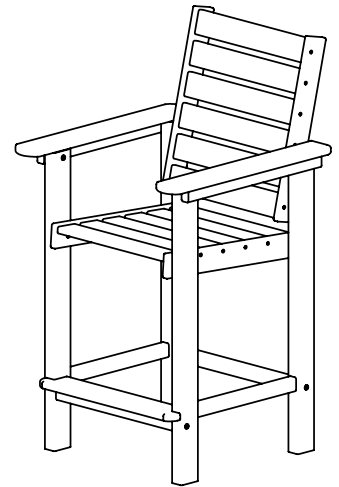
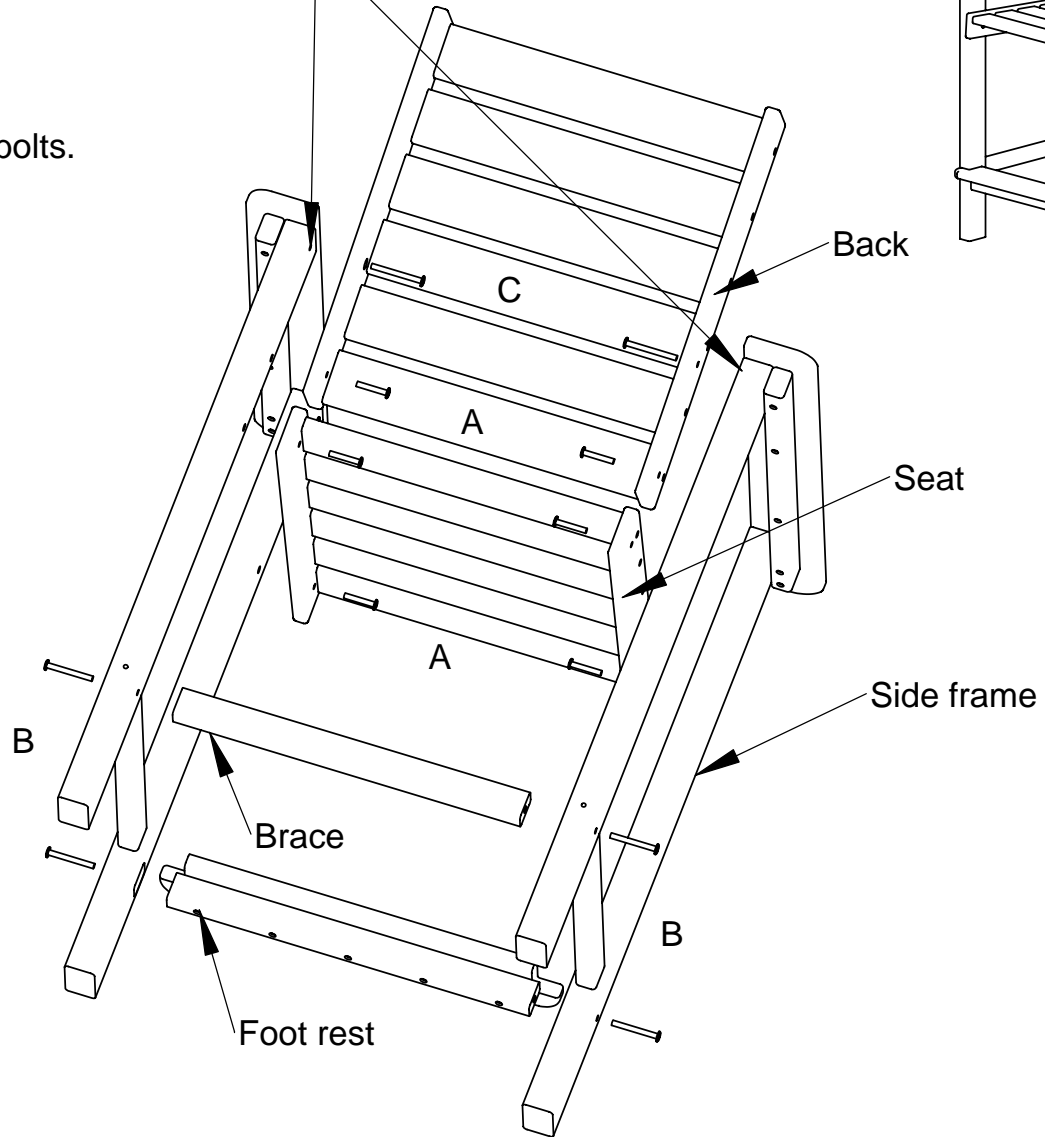
- \_\_\_ (1) Seat
- \_\_\_ (1) Back
- \_\_\_ (2) Sideframe
- \_\_\_ (1) Foot rest
- \_\_\_ (1) Brace

### TOOLS NEEDED

5/32" HEX KEY: INCLUDED



bolts used for shipping are here



Qty.	Description
------	-------------

6	A - 1½ Chair Bolt
---	-------------------

4	B - 2¼ Chair Bolt
---	-------------------

2	C - 2½ Chair Bolt
---	-------------------

All bolts are 1/4-20