



Assembly Instructions

Model: CCB30

Step 1

First remove the bolts used for shipping
Then attach Foot rest and braces to sideframes using
(8) 2¼" Chair bolts.

Step 2

Attach seat to sideframes using (4) 1½" Chair bolts.
Note: seat overhangs slightly in front

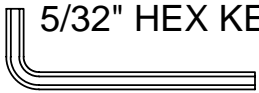
Step 3

Attach back to sideframes using
(2) 1½" Chair bolts and (2) 2½" Chair bolts.

- ___ (1) Seat
- ___ (1) Back
- ___ (2) Sideframe
- ___ (1) Foot rest
- ___ (3) Brace

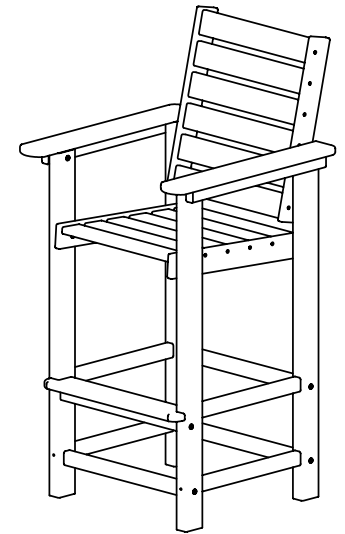
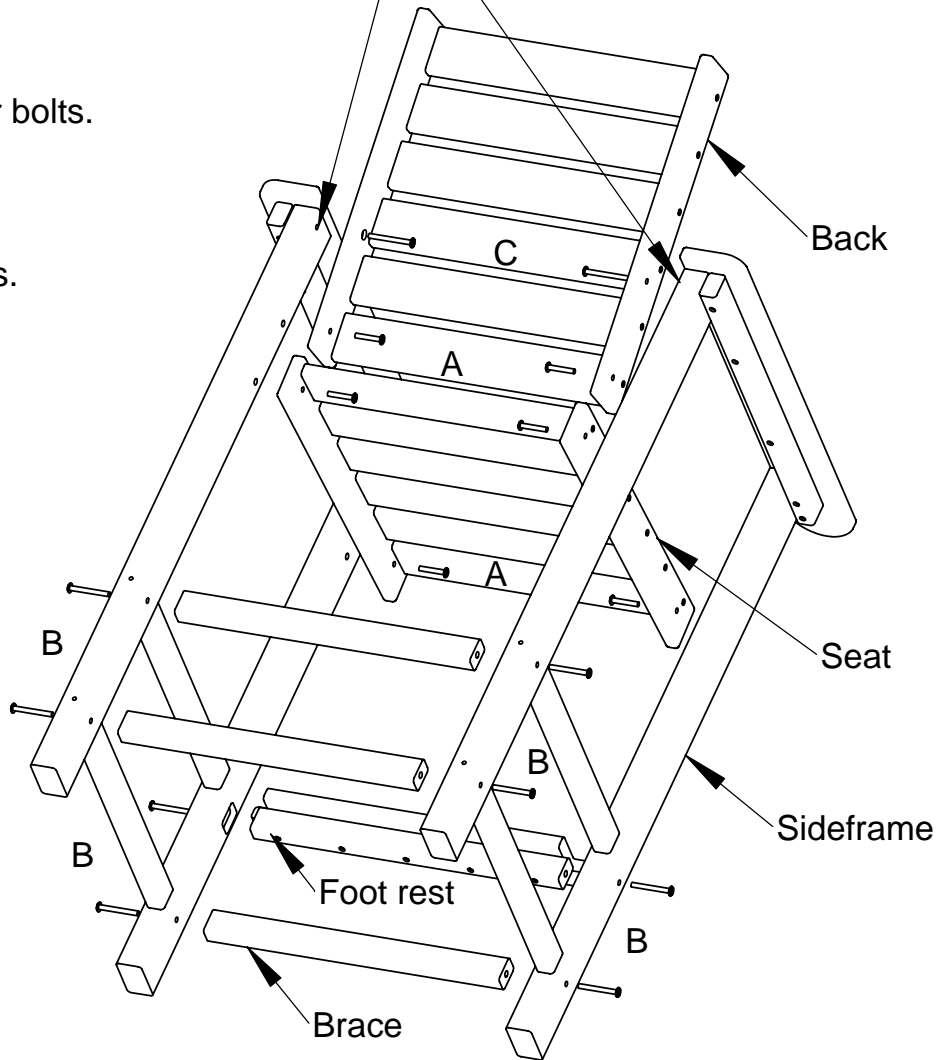
TOOLS NEEDED

5/32" HEX KEY: INCLUDED



Qty.	Description
6	A - 1½" Chair Bolt
8	B - 2¼" Chair Bolt
2	C - 2½" Chair Bolt

bolts used for shipping are here



All bolts are 1/4-20

7/24/06