



Assembly Instructions

Model: NCB46

Step 1

Attach the back leg, seat and back together by using (2) 2½" chair bolts.

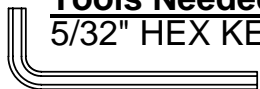
Step 2

Attach the footrest assembly using (4) 1¾" chair bolts.

- (1) Chair
- (1) Footrest
- (1) Hardware pack

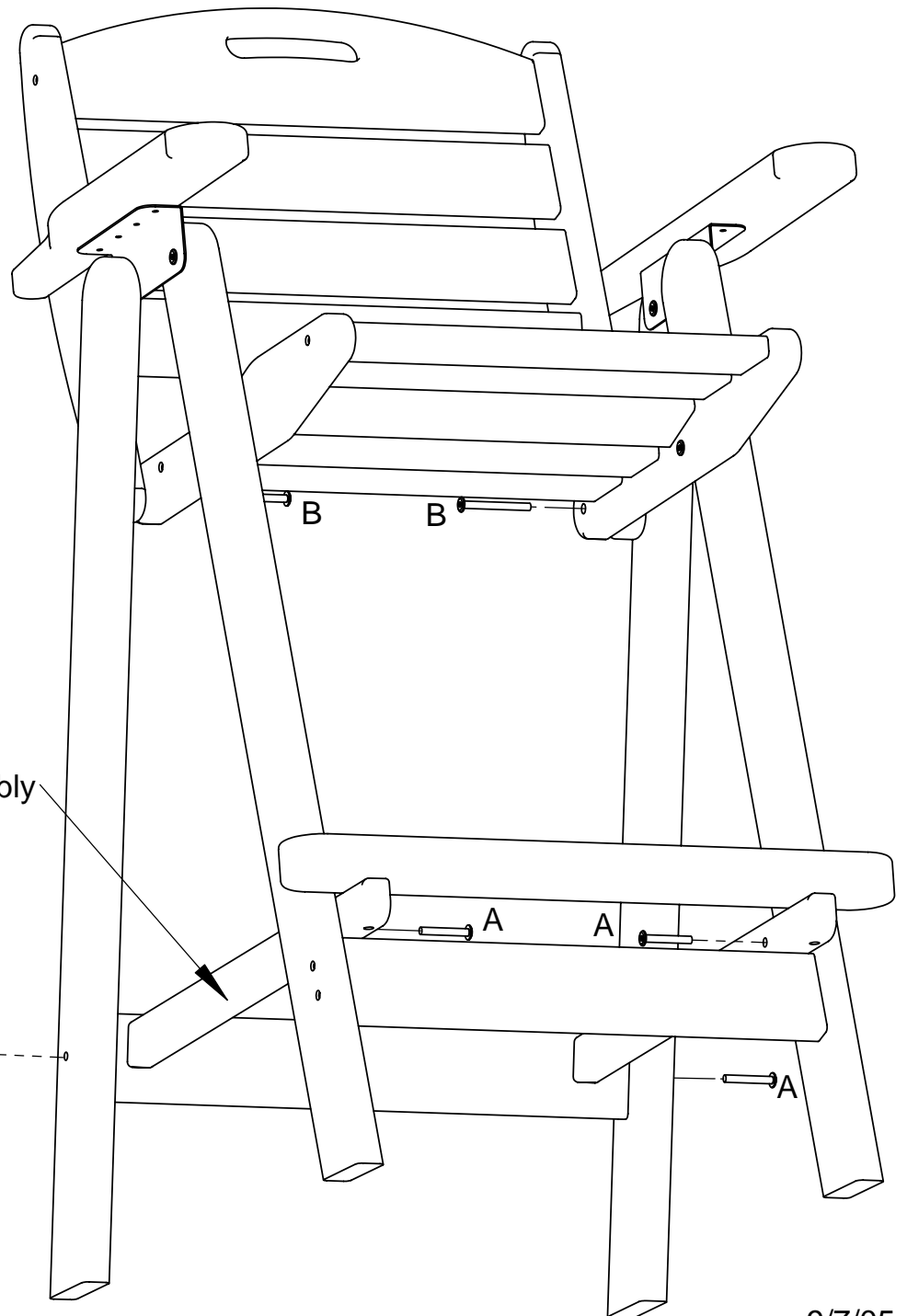
Tools Needed

5/32" HEX KEY: INCLUDED



Qty.	Description
4	A - 1¾" Chair Bolt
2	B - 2½" Chair Bolt

Footrest Assembly



All bolts are 1/4-20

9/7/05