



Assembly Instructions

Model: RT4856, RCT4856, RRT4856, RBT4856

Step 1

Attach feet to legs using (4) 3 1/4" Chair bolts.

Step 2

Lay the table frame on a flat surface.
Attach the leg assemblies to the table frame using (8) 2 1/4" Chair bolts.

Step 3

Attach leg braces using (4) 2 1/4" Chair bolts.

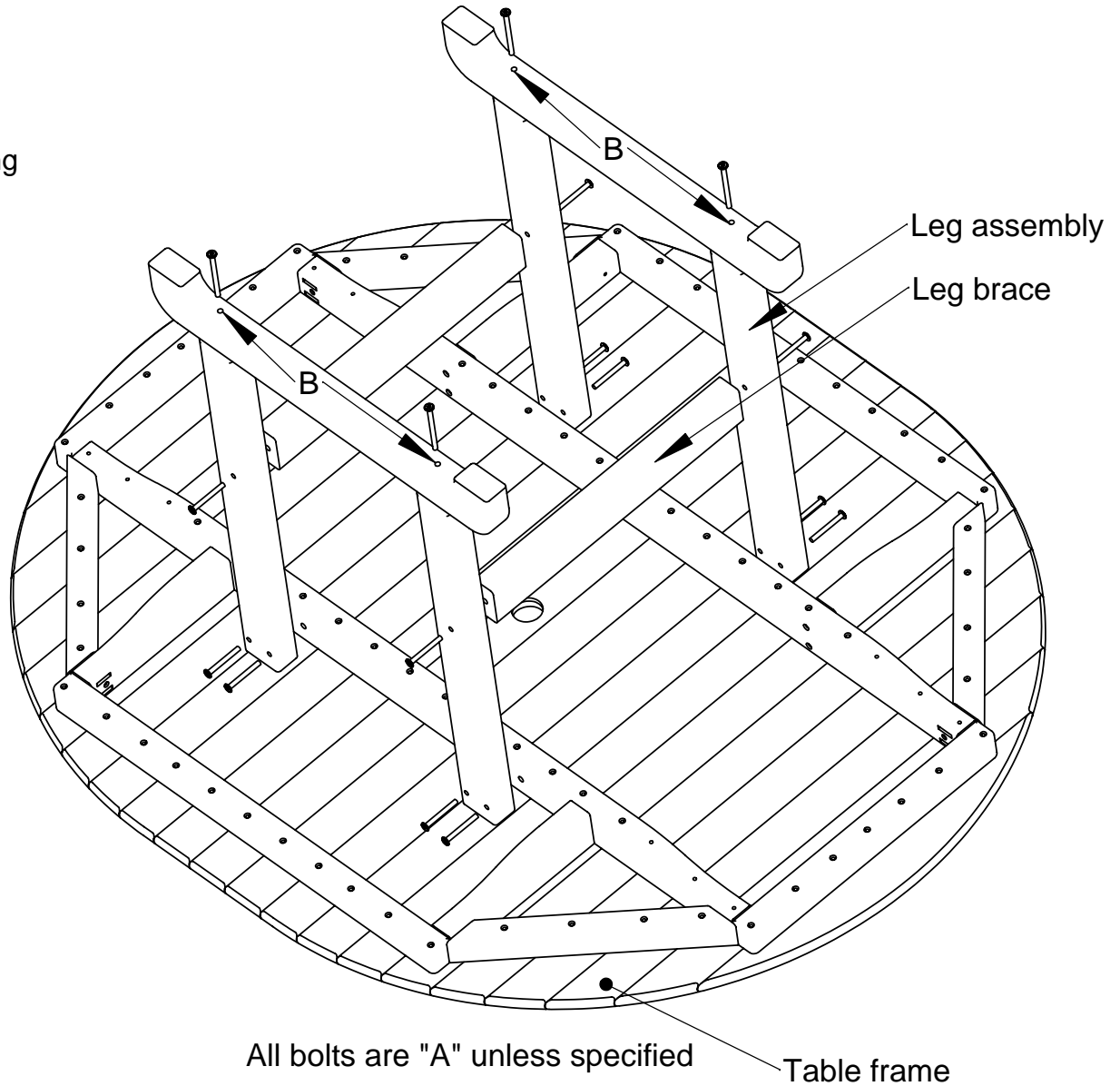
Step 4

Set table upright and tighten all bolts.

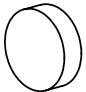


- ___ (1) Table top
- ___ (4) Leg
- ___ (2) Foot
- ___ (2) Brace
- ___ (1) Hardware pack

TOOLS NEEDED

5/32" HEX KEY: INCLUDED



All bolts are "A" unless specified

Qty.	Description
1	 Table plug
12	 A - 2 1/4" Chair bolt
4	 B - 3 1/4" Chair bolt

All bolts are 1/4-20