



Assembly Instructions

Model: RT3678

Step 1

Attach feet to legs using (8) 3¼" Chair bolts.

Step 2

Lay the table frame on a flat surface.
Attach the leg assemblies to the table frame using (16) 2¼" Chair bolts.

Step 3

Attach leg braces using (8) 2¼" Chair bolts.

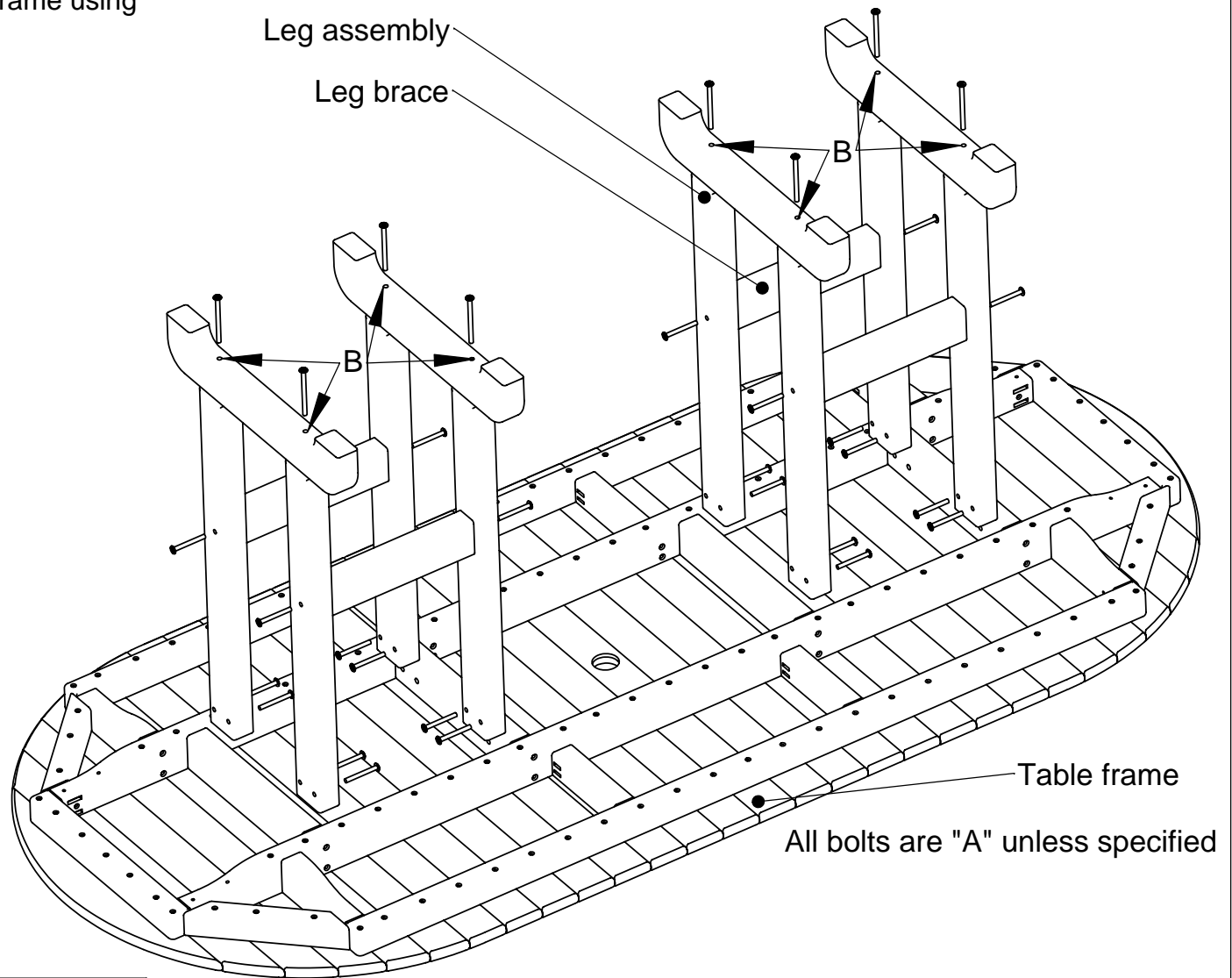
Step 4

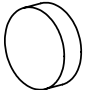
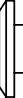

Set table upright and tighten all bolts.

- ___ (1) Table top
- ___ (8) Leg
- ___ (4) Foot
- ___ (4) Brace
- ___ (1) Hardware pack

TOOLS NEEDED

5/32" HEX KEY: INCLUDED



Qty.	Description
1	 Table plug
24	 A - 2¼" Chair bolt
8	 B - 3¼" Chair bolt

All bolts are 1/4-20

3/9/06