

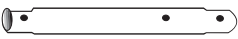
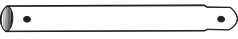
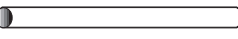


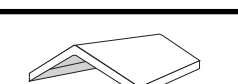



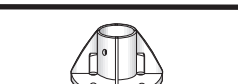
10 X 20 Model #25763 PREMIUM PARTY CANOPY

Please read instructions completely before assembly



**DO NOT
RETURN
PRODUCT TO
STORE**

**FOR MISSING OR
REPLACEMENT
PARTS
PLEASE CONTACT
CUSTOMER
SERVICE:
1.800.524.9970**

	Description	Qty.	Part #
	54.5" Swedged Rafter Poles	8	10091
	76" Swedged Leg Poles	8	10043
	77" Cross Poles 1 1/2"	9	10044
	(Top Bend, shallow bend) 3-Way Frame Connectors	2	10046
	4-Way Frame Connectors	2	10048
	(Side Bend, sharp bend) 3-Way Frame Connectors	4	10045
	4-Way Frame Connectors	4	10047
	Polyester Green 50mm Cover	1	PCG1006
	Bungee Cords	38	10066
	Short Pins w/rings - 1/4" x 2 3/8"	8	10051
	Long Pins w/rings - 1/4" x 3"	8	10052
	Foot Plates	8	10050



150 Callender Road
Watertown, CT 06795

ATTENTION: PINS

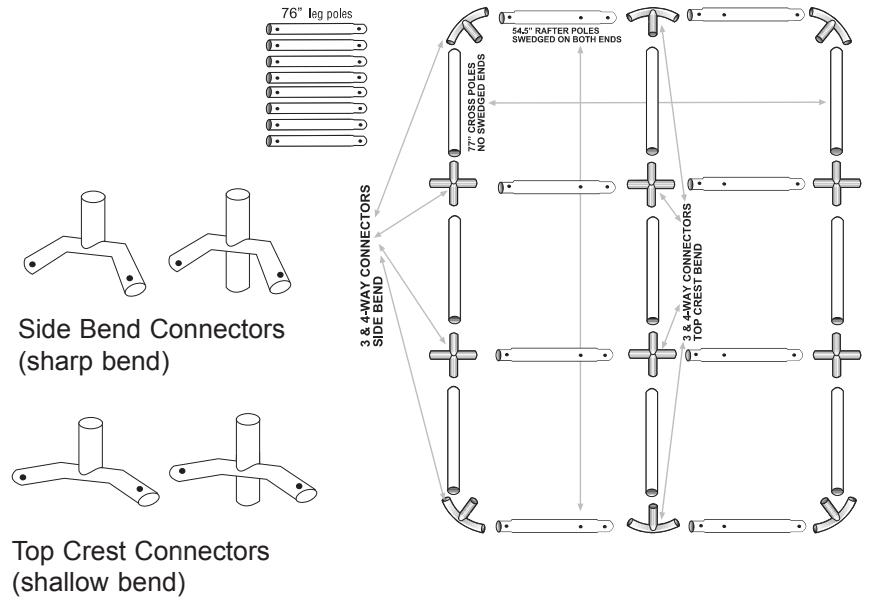
8 -2 3/8" Pins secure legs to side bends.
8 -3" Pins secure feet plates to legs.

Pins are for legs and feet only, and are NOT needed for any other part of the frame.

This canopy must be anchored

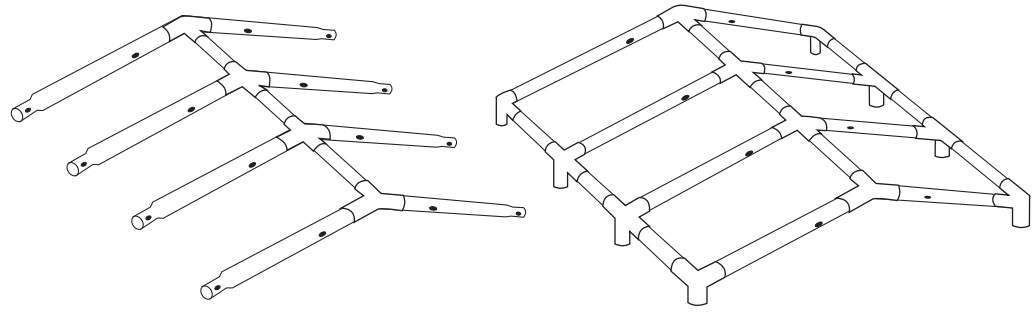
1. FRAME ASSEMBLY

Assembly is easiest if you layout all parts as shown. There are eight - 54.5" x 2" **Rafter Poles**, they are swedged on both ends, and have 3 pre-drilled holes. The nine- 77" x 1.5" **Cross Poles** do not have swedged ends. You can set aside the eight- 76" x 2" **Leg Poles**, they are swedged on one end and have pre-drilled holes at the base & the top. It is very important that you determine which of the 3 & 4 way connectors are meant for the sides and which are for the crest. The side connectors have a sharper bend.



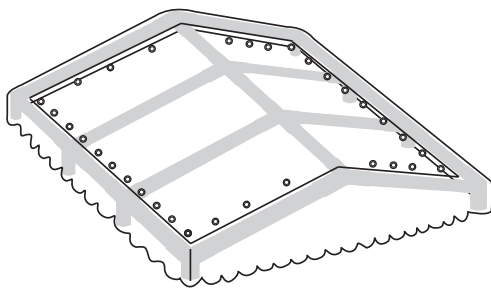
2. CONNECT PIPES

Start with the center, then assemble each side.



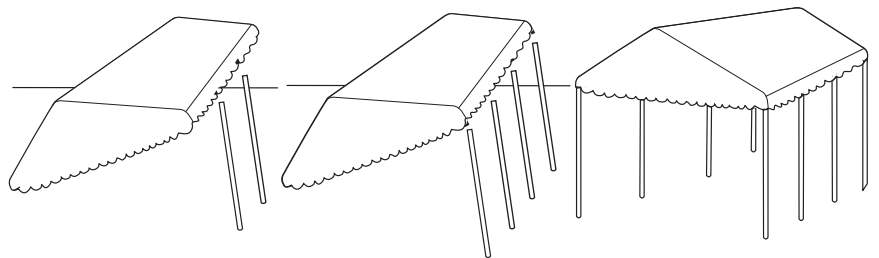
3. PLACE COVER

Place cover over frame so that the grommetted portion is face down, this allows the valance to wrap around and cover the frame eaves.



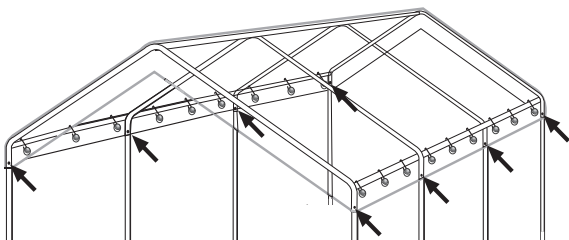
4. ATTACHING LEGS

Insert both middle legs on one side of the frame, swedged end up, then the end legs on that same side. Repeat for the other side. Now you can secure the legs to the side bend connectors and secure the cover with bungee cords.



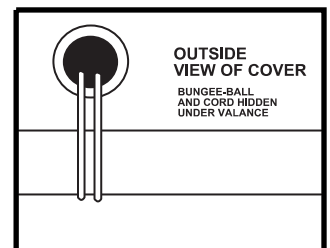
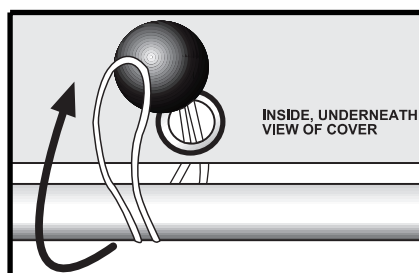
5. SECURING LEGS

8 Short Pins are used to secure legs to side bend connectors.



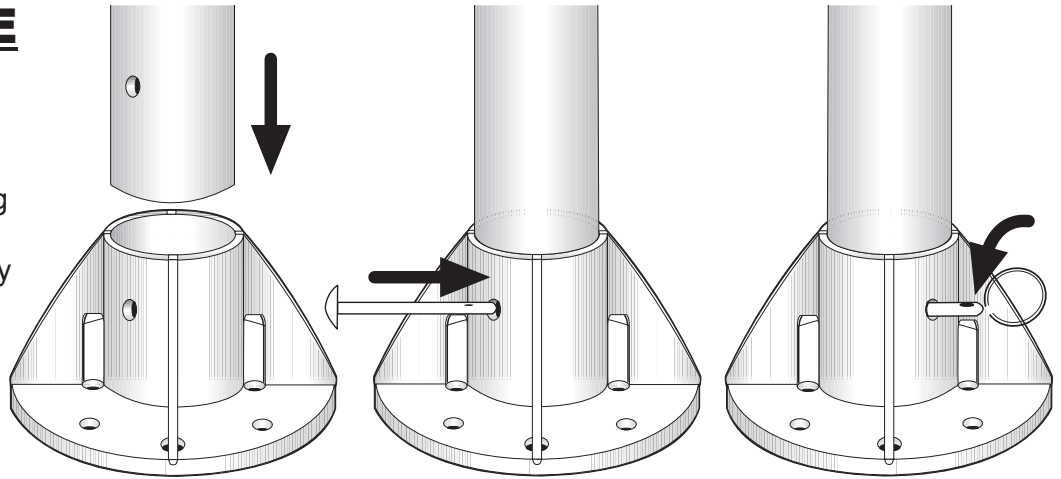
6. SECURING COVER

6.1 Working inside, under-neath the unit, begin with the corners. Insert the cord of the bungee-ball through the grommett and around the 77" Cross Pole, then around the ball. By doing this from the inside it will hide the bungee-ball and give a cleaner look. When all 4 corners are secured, work from side to side to get an even fit.



6. ATTACHING & SECURING BASE FEET

Insert Base Feet Plates onto bottom of legs, be sure to line up the pre-drilled hole in the leg with the pre-drilled hole in the base foot. Insert PIN all the way through leg and foot, to other side, secure with ring.

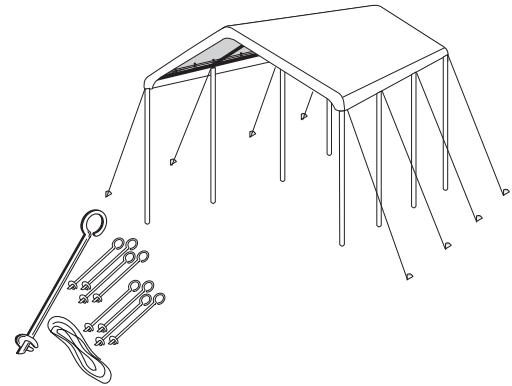


ANCHORING

Your All-Purpose Canopy is designed for use as a temporary structure that assembles in minutes without tools. After assembly your structure must be anchored to prevent damage.

Proper anchoring is your responsibility.

The preferred anchoring system uses screw in anchors and cable attached to each leg. Mobile home anchors will also work. Anchoring kits are available through our customer service department or you may go to your local home improvement or hardware store.



1-800-524-9970

Monday-Friday 8:00am-7:00pm EST

CARE & CLEANING INFORMATION

DO NOT expose top or walls to open fire or flame. **DO NOT** use barbeque grills or smokers underneath canopy.

DO NOT use harsh abrasives, bleach or cleansers. Cover and walls can be easily cleaned with mild soap and water. Periodically check stakes or anchors to ensure stability of unit, especially following exposure to high winds or heavy rain. **NOT** meant to hold snow load, brush snow off top with a broom or mop.

IMPORTANT:PLEASE READ CAREFULLY: ShelterLogic has no control over the elements such as wind, snow or heavy rain, we cannot be responsible for damage caused by the canopy or to the canopy. We suggest you contact your insurance carrier for information just as you would for any other outside structure.

This is a Temporary Structure and is not recommended as a permanent structure. Safety glasses must be worn when securing bungs.

Improper Anchoring, Strong Winds, Snow or Ice: ShelterLogic **does not guarantee these canopies in snow or ice under any circumstances.** Canopies are designed to offer protection from damage caused by sun, light rain, tree sap, birds, and are not designed to hold the loads that accompany snow or ice. Any canopy that is not anchored securely or properly will fly away. We will not be responsible for any canopy that blows away. Proper anchoring is your responsibility. We offer several anchoring kits. Call customer service for more information or to place an order. Your canopy's cover can be quickly removed if needed when you know that a strong or severe weather front is approaching.

CAUTION! WARNING!

Bungee cords are under extreme tension. Please use caution when applying as they may snap out of your hand and cause injury. The use of safety goggles may help to prevent injury.